
Features

Hardware

- Supports Programming of all AT17LV, AT17N, and AT17F Series Devices
- Connection to Allow In-System Programming (ISP)
- Runs off Portable 9V DC Power Supply
- 5.0V and 3.3V Supply

Software

- CPS – Configurator Programming System
- GUI-based Interface
- Supports Windows® 98/2000/XP and Windows NT®
- Online Help
- Supports Programming Reset Polarity
- Verification Routines to Validate Programming
- Accepts HEX, MCS, POF, RBF and BST File Formats

System Contents

- ATDH2200 Programming Board
- ATDH2222 20-pin PLCC Adapter
- ATDH2200E Datasheet
- ATDH2200E Programming Kit User Guide
- 10-pin Ribbon Cable for ISP
- 9V DC, 500 mA, 2.1 mm Center Positive/Negative Power Supply (for US customers only)
- Sample AT17LV Devices

Description

The ATDH2200E allows designers to quickly and economically program Atmel's family of AT17 series FPGA Configuration Memories. The system also provides support for new devices in the AT17 series Configurator prior to Third Party Programmer support being available. This is a truly portable solution that allows engineers to work from their lab bench or office.



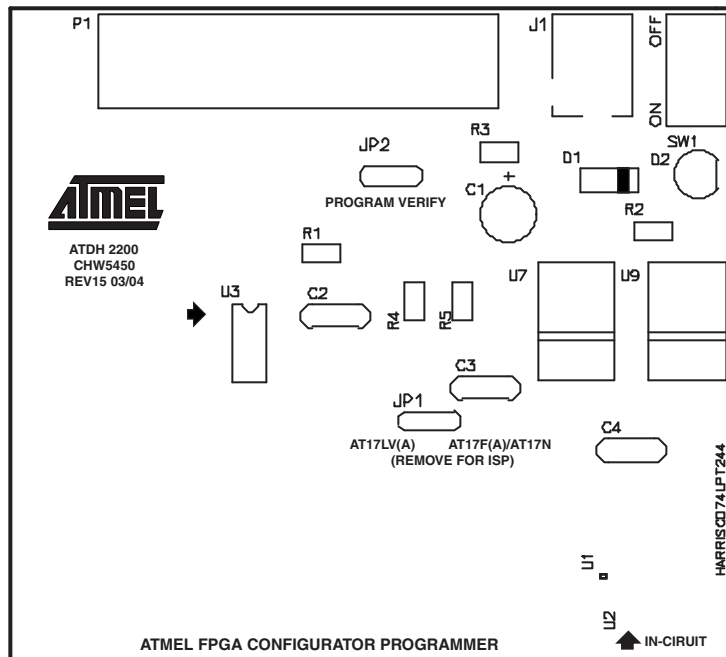
FPGA Configurator Programming Kit (Enhanced)

ATDH2200E

Rev. 0642G-CNFG-3/09

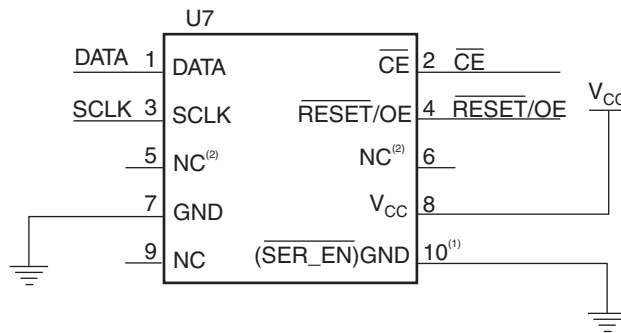


Figure 1. ATDH2200E Configurator Programming Board



In-System Programming Connector

Figure 2. In-System Programming Header



- Notes: 1. Pin 10 activates $\overline{SER_EN}$ on target board.
 2. NC stands for no connection.

The ATDH2200E programming board has a 10 pin header (0.1" spacing) to facilitate in-system programming (Figure 2) of the AT17 parts. The control signals generated by the software are fed to the header, as well as to socket U3 on the board. By placing a similar socket on the target system and connecting the programming board to that target system, the programming algorithms written by Atmel can be used to program an AT17 device in-system.

Related Documents

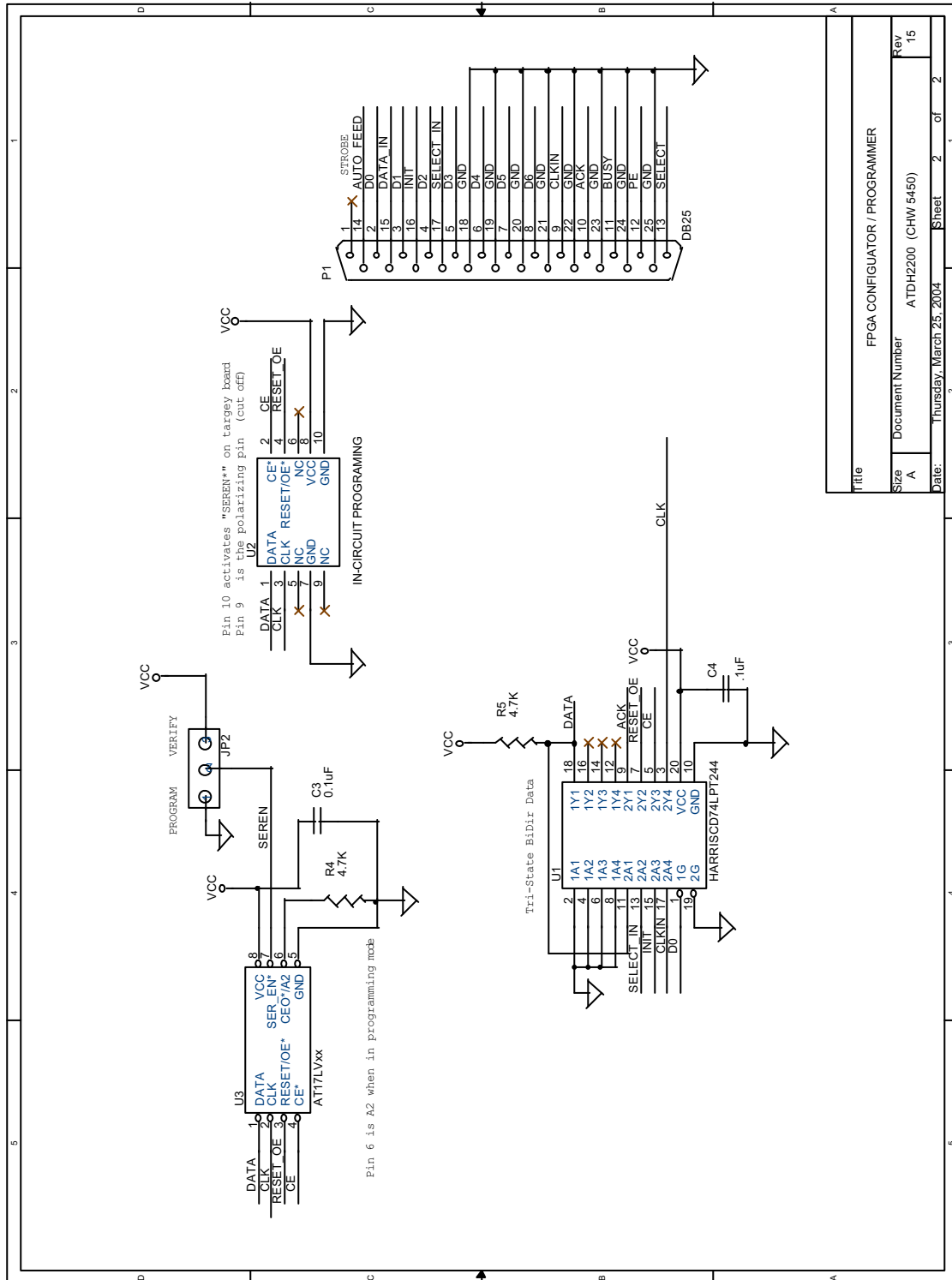
- ATDH2200E Programming Kit User Guide
- AT17 Series datasheet
- Programming Specification for Atmel's FPGA Configuration memories
- In-System Programming Cascaded Configurators
- AT17A Series datasheet

**Adapters Available for the
ATDH2200E**

- ATDH2222 – 20-lead PLCC adapter (supplied with kit)
- ATDH2221 – 20-lead SOIC adapter
- ATDH2223 – 8-lead SOIC adapter
- ATDH2224 – 44-lead TQFP
- ATDH2226 – 32-lead TQFP
- ATDH2227 – 44-lead PLCC (non-A parts only)
- ATDH2227A – 44-lead PLCC (A parts only)
- ATDH2228 – 8-lead LAP

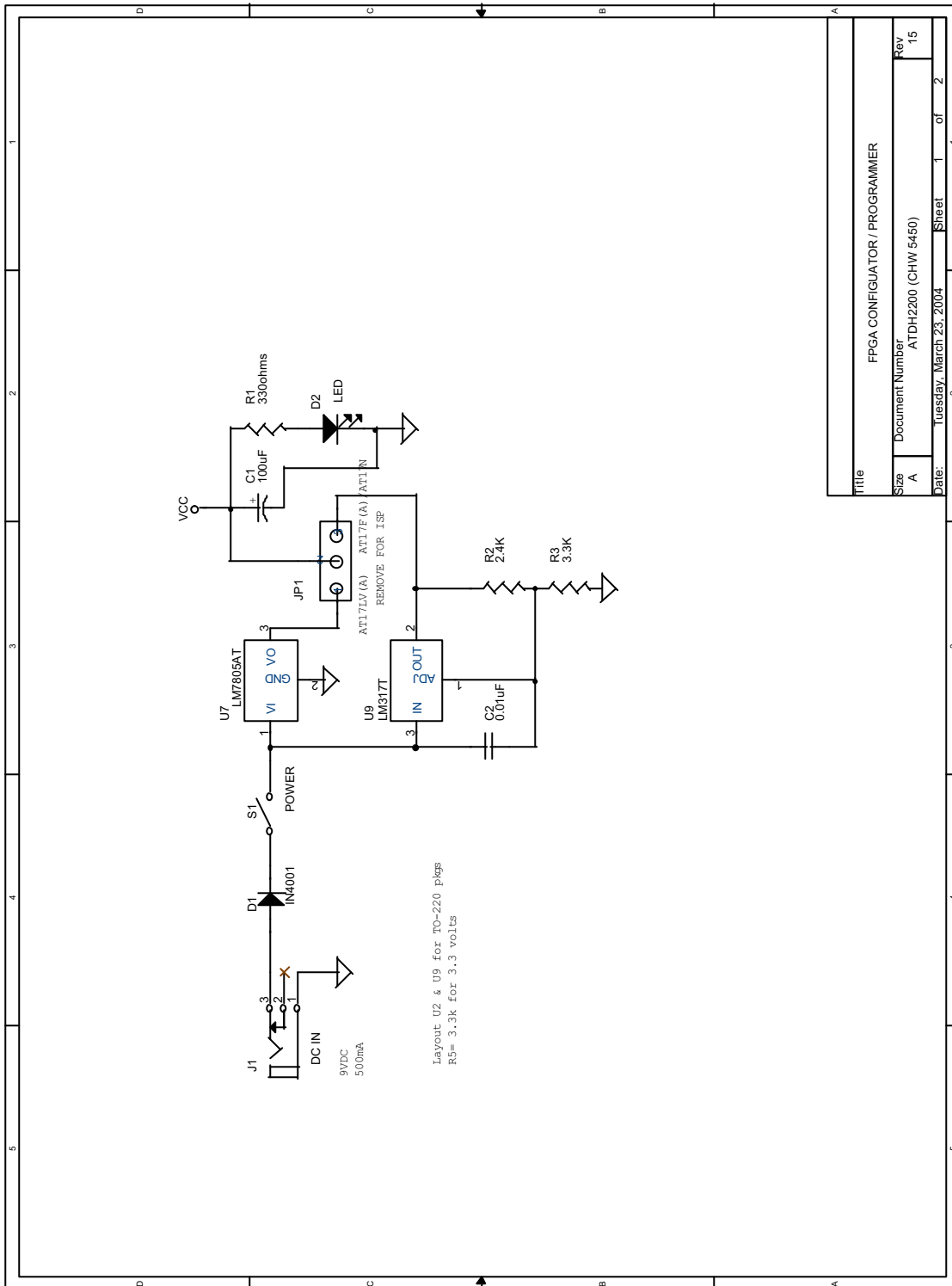
Schematics

Programming Connections



Title		FPGA CONFIGURATOR / PROGRAMMER	
Size	A	Document Number	ATDH2200 (CHW 5450)
Rev	15	Date:	Thursday, March 25, 2004
Sheet 2		of 2	

Power Supply Generation





Headquarters

Atmel Corporation
2325 Orchard Parkway
San Jose, CA 95131
USA
Tel: 1(408) 441-0311
Fax: 1(408) 487-2600

International

Atmel Asia
Unit 1-5 & 16, 19/F
BEA Tower, Millennium City 5
418 Kwun Tong Road
Kwun Tong, Kowloon
Hong Kong
Tel: (852) 2245-6100
Fax: (852) 2722-1369

Atmel Europe
Le Krebs
8, Rue Jean-Pierre Timbaud
BP 309
78054 Saint-Quentin-en-
Yvelines Cedex
France
Tel: (33) 1-30-60-70-00
Fax: (33) 1-30-60-71-11

Atmel Japan
9F, Tonetsu Shinkawa Bldg.
1-24-8 Shinkawa
Chuo-ku, Tokyo 104-0033
Japan
Tel: (81) 3-3523-3551
Fax: (81) 3-3523-7581

Product Contact

Web Site
www.atmel.com

Technical Support
configurator@atmel.com

Sales Contact
www.atmel.com/contacts

Literature Requests
www.atmel.com/literature

Disclaimer: The information in this document is provided in connection with Atmel products. No license, express or implied, by estoppel or otherwise, to any intellectual property right is granted by this document or in connection with the sale of Atmel products. **EXCEPT AS SET FORTH IN ATMEL'S TERMS AND CONDITIONS OF SALE LOCATED ON ATMEL'S WEB SITE, ATMEL ASSUMES NO LIABILITY WHATSOEVER AND DISCLAIMS ANY EXPRESS, IMPLIED OR STATUTORY WARRANTY RELATING TO ITS PRODUCTS INCLUDING, BUT NOT LIMITED TO, THE IMPLIED WARRANTY OF MERCHANTABILITY, FITNESS FOR A PARTICULAR PURPOSE, OR NON-INFRINGEMENT. IN NO EVENT SHALL ATMEL BE LIABLE FOR ANY DIRECT, INDIRECT, CONSEQUENTIAL, PUNITIVE, SPECIAL OR INCIDENTAL DAMAGES (INCLUDING, WITHOUT LIMITATION, DAMAGES FOR LOSS OF PROFITS, BUSINESS INTERRUPTION, OR LOSS OF INFORMATION) ARISING OUT OF THE USE OR INABILITY TO USE THIS DOCUMENT, EVEN IF ATMEL HAS BEEN ADVISED OF THE POSSIBILITY OF SUCH DAMAGES.** Atmel makes no representations or warranties with respect to the accuracy or completeness of the contents of this document and reserves the right to make changes to specifications and product descriptions at any time without notice. Atmel does not make any commitment to update the information contained herein. Unless specifically provided otherwise, Atmel products are not suitable for, and shall not be used in, automotive applications. Atmel's products are not intended, authorized, or warranted for use as components in applications intended to support or sustain life.

© 2009 Atmel Corporation. All rights reserved. Atmel®, Atmel logo and combinations thereof, and others are registered trademarks or trademarks of Atmel Corporation or its subsidiaries. Microsoft®, Windows® and Windows NT® are the registered trademarks of Microsoft Corporation. Other terms and product names may be trademarks of others.